

Configure a Model Number

Speed Reducers
Nomenclature

Output Shaft Orientation

Type	Prefix
Horizontal	H
Vertical	V

Mounting Style

Type	Prefix
Shaft Mount (Hollow Shaft)	Y
Flange (Hollow Shaft)	F
Housing Mount (Hollow Shaft)	U

Input Connection

Input Connection	Prefix	
	Reducer	Motor
Free Input Shaft		
Input Motor Adapter	J	JM
w/ Input Motor Flange & Hollow Bore	X	XM

Modification

	Prefix
Unit built with special mods	S
Shrink Disc	S
No special mods applied	

Motor Power (HP or kW)

(if supplied and/or mounted by Sumitomo; applies only to 1750 RPM)

HP	(kW)	Prefix
1/8	(0.1)	01
1/4	(0.2)	02
1/3	(0.25)	03
1/2	(0.4)	05
3/4	(0.55)	08
1	(0.75)	1
1 1/2	(1.1)	1H
2	(1.5)	2
3	(2.2)	3
5	(3.7)	5
7 1/2	(5.5)	8
10	(7.5)	10
15	(11)	15
20	(15)	20
25	(18.5)	25
30	(22)	30
40	(30)	40
50	(37)	50
60	(45)	60
75	(55)	75

Frame Size

Single Reduction			
5Z100	5A110	5B120	5C140
5Z105	5A115	5B125	5C145
5Z110	5A120	5B140	5C160
5Z115	5A125	5B145	5C165
5Z120	5A140	5B160	5C170
5Z125	5A145	5B165	5C175
Double Reduction			
5Z10DA	5A12DA	5B12DA	5C14DA
5Z12DA	5A12DB	5B12DB	5C14DB
5Z12DB		5B14DA	5C14DC
		5B14DB	5C16DA
			5C16DB

Reducer Specifications

Specification	Suffix
Standard	
Shovel Base	SB
Torque Limiter	TL

When ordering, the following information should be included:

- NEMA frame size for C-face adapter, or IEC frame size for IEC motor adapter
- Motor Specification if supplied and/or mounted by Sumitomo (230/460 VAC 60 Hz is supplied in the United States unless otherwise specified)
- Bore size must be supplied

Optional conduit box positions must be specified, otherwise Y1 is supplied.

L H Y J S - **5 A 1 1 0**

K - **Y1** - **28**

Cyclo® BBB5 product code (always "L")

Output shaft orientation

Mounting style

Input connection

Modification (Special feature)

Motor Power Symbol (1750 rpm)

Frame size

Shaft specification

Reducer Specifications

Mounting position and optional specification (as required)

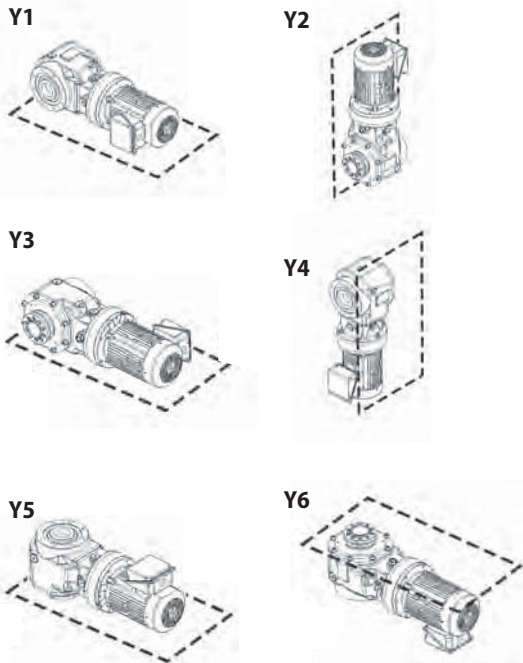
Ratio

Nomenclature

Shaft Specifications

Input Shaft	OUTPUT SHAFT Hollow	Suffix
mm	Key (mm)	
Inch	Key (Inch)	K

Mounting Positions



Nominal and Exact Ratio

Nomenclature Example:

LHYJS – 5A110K – Y1 – 28

- | | |
|--|---|
| L – Cyclo® Bevel Buddybox | 5A110 – Frame Size |
| H – Horizontal Output Shaft Orientation | K – Inch keyed-hollow shaft output, inch shaft input |
| Y – Shaft Mount (Hollow Shaft) | Y1 – Mounting Position |
| J – Input Motor Adapter | 28 – Ratio |
| S – Modification (Special Feature) | |

Nominal and Exact Ratio

BBB5 with Planetary Input				BBB5 with Cyclo® Input			
Nominal		Frame Size	Actual Ratio	Single Reduction			
Input Ratio	Overall Ratio			Nominal		Frame Size	Exact Ratio
			Input Ratio	Overall Ratio			
3	11	5Z10	All	6	21	21.0	
		5Z11		7	22	22.4	
		5Z12		7	25	24.5	
		5A11		8	28	28.0	
		5B12		11	35	35.2	
		5B16		11	39	38.5	
	5C16	13	46	45.5			
	5C17	15	53	52.5			
	5A14	17	60	59.5			
	5B14	21	67	67.2			
	5C14	21	74	73.5			
	4	13	5Z11	All	25	80	80.0
5Z12			25		88	87.5	
5A11			29		102	101.5	
5A12			35		112	112.0	
5B12			35		123	122.5	
5B16			43		151	150.5	
5C16		51	179	178.5			
5A14		59	207	206.5			
5B14		71	249	248.5			
5C14		87	305	304.5			
5C17		12.99					
5C17		13.09					
5	14	5Z11	All	104	364	364.0	
		5Z12		121	424	423.5	
		5A11		143	501	500.5	
		5A12		165	578	577.5	
		5B12		195	683	682.5	
		5B16		231	809	808.5	
	5C16	273	956	955.5			
	5A14	319	1117	1116.5			
	5B14	377	1320	1319.5			
	5C14	473	1656	1655.5			
	5C17	559	1957	1956.5			
	5Z10	649	2272	2271.5			
	5Z10	731	2559	2558.5			
	5Z10	841	2944	2943.5			
	5Z10	1003	3511	3510.5			
	5Z10	1247	4365	4364.5			
	5Z10	1479	5177	5176.5			
	5Z10	1849	6472	6471.5			
5Z10	2065	7228	7227.5				
5Z10	2537	8880	8879.5				
5Z10	3045	10658	10657.5				
16	5Z11	All	559	1957	1956.5		
	5A11		649	2272	2271.5		
	5A14		731	2559	2558.5		
	5B14		841	2944	2943.5		
	5C14		1003	3511	3510.5		
	5C17		1247	4365	4364.5		
18	5B16	All	1479	5177	5176.5		
	5C16		1849	6472	6471.5		
	5Z10		2065	7228	7227.5		
	5Z11		2537	8880	8879.5		
	5A11		3045	10658	10657.5		
	5A14		5A11	17.38			
5B14	5B14	17.50					
5C14	5C14	17.68					
5C17	5C17	17.78					
5B16	5B16	17.88					
5C16	5C16	18.00					

Speed Reducers
Nomenclature